

Backstay Flicker

511-120-01 Backstay flicker small (for boats LOA <30 ft.)

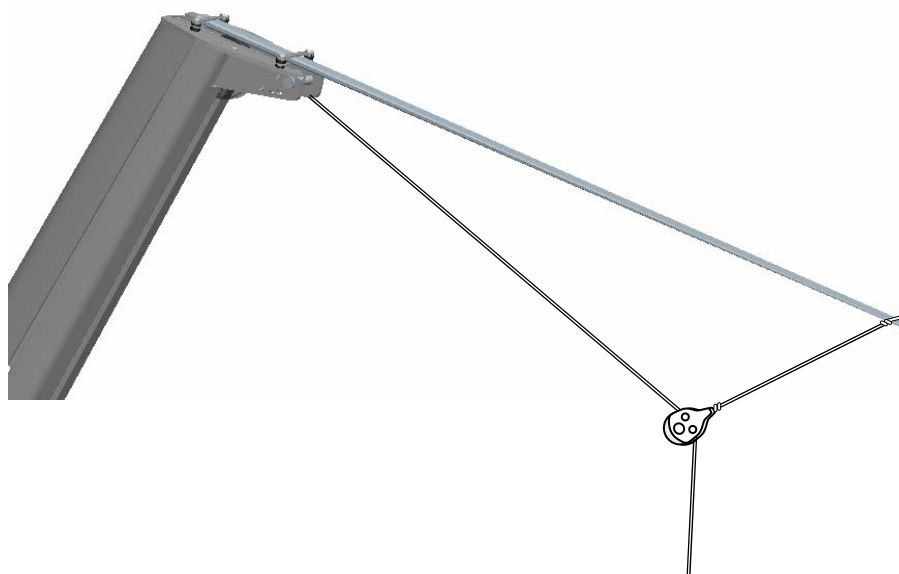
511-121-01 Backstay flicker medium (for boats LOA 30-37 ft.)

- General
- Included parts
- Assembly Method

General

This product is designed for use on fractional rigs only. The backstay flicker is fitted on top of the headbox, and used to pull the backstay clear of the sail when gibing and taking. The backstay flicker is NOT designed to carry the extra load from runners and checkstays - ONLY THE WEIGHT OF THE BACKSTAY.

Masthead equipment such as lights, antenna, and wind indicators may have to be moved and refitted.

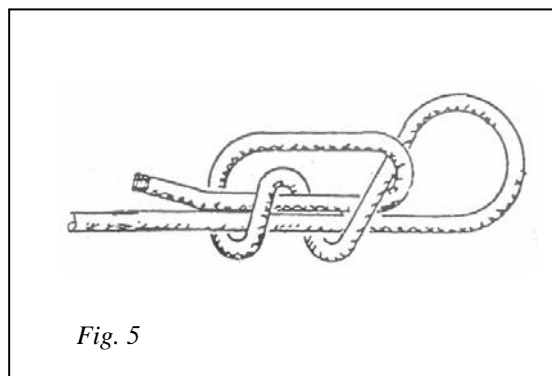
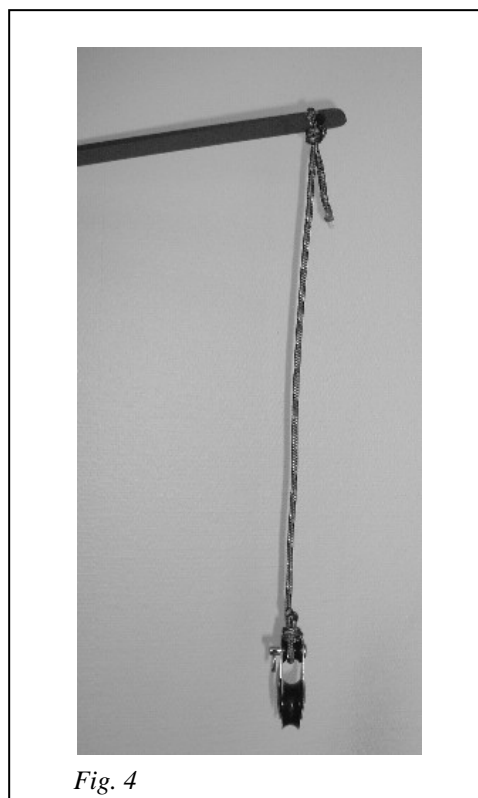
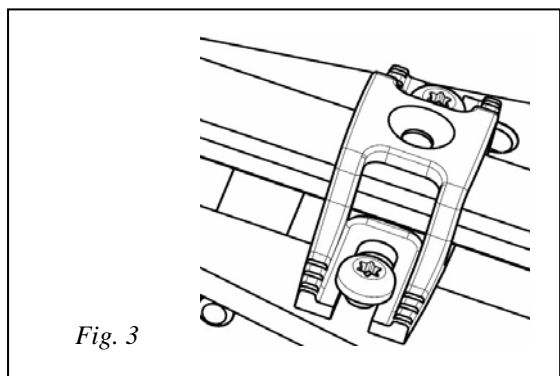
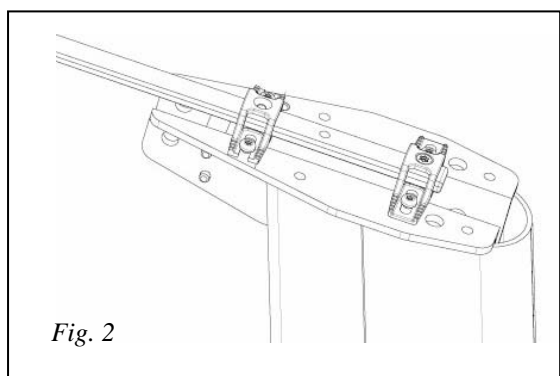
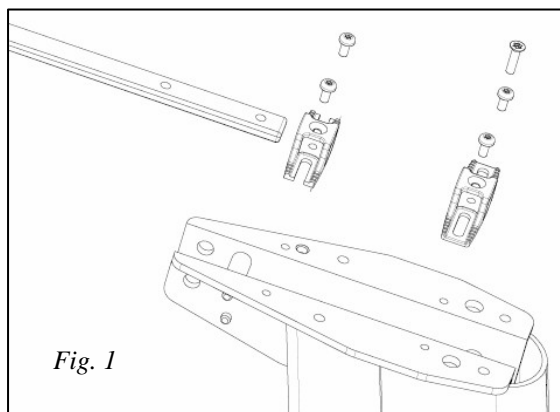


Parts included

• 511-120-02/121-02	1	Backstay flicker
• 508-700/508-762	1	Bracket backstay flicker
• 155-701	4	M6 Self tapping Screws
• 162-068	1	M5 Screw
• 538-051	1	Block
• 592-006	1	Drillbit Ø 5.3 mm
• 613-236	1	Rope 0.8 m
• 595-223	1	Instructions for assembly

Assembly

1. Drill holes for the straps. The brackets should be placed at least 100 mm apart.
NOTE! Do not drill into the mast walls.
2. The brackets can be cut, to fit smaller headboxes, see fig. 2.
3. To insulate the selftapping stainless screws from the aluminum headbox. Apply water proof grease, Vaseline or anti-corrosive paste to the screws. Make sure that halyards and sheaves have enough space below the backstay flicker
4. Fit the block to the backstay.
5. Slide the backstay flicker into place.
6. Fit the locking screw in the hole at the end of the backstay flicker.
7. Fit the line in the block and around the backstay flicker with running knots (See fig. 5). Adjust the length of the line to approximately 100 mm.



 **SELDÉN**

www.seldenmast.com

Sweden: Seldén Mast AB, Tel +46 (0)31 69 69 00, e-mail info@seldenmast.com UK: Seldén Mast Ltd., Tel +44 (0)1329 50 40 00, e-mail info@seldenmast.co.uk USA: Seldén Mast Inc., Tel +1 843-760-6278, e-mail info@seldenus.com Denmark: Seldén Mast A/S, Tel +45 39 18 44 00, e-mail info@seldenmast.dk the Netherlands: Seldén Mid Europe B.V., Tel +31 (0)111- 698 120, e-mail info@seldenmast.nl France: Seldén Mast SAS, Tel 33 (0) 251 362 110, e-mail info@seldenmast.fr