

Bow Ring Bracket -90°

For Seldén Bow Sprit applications

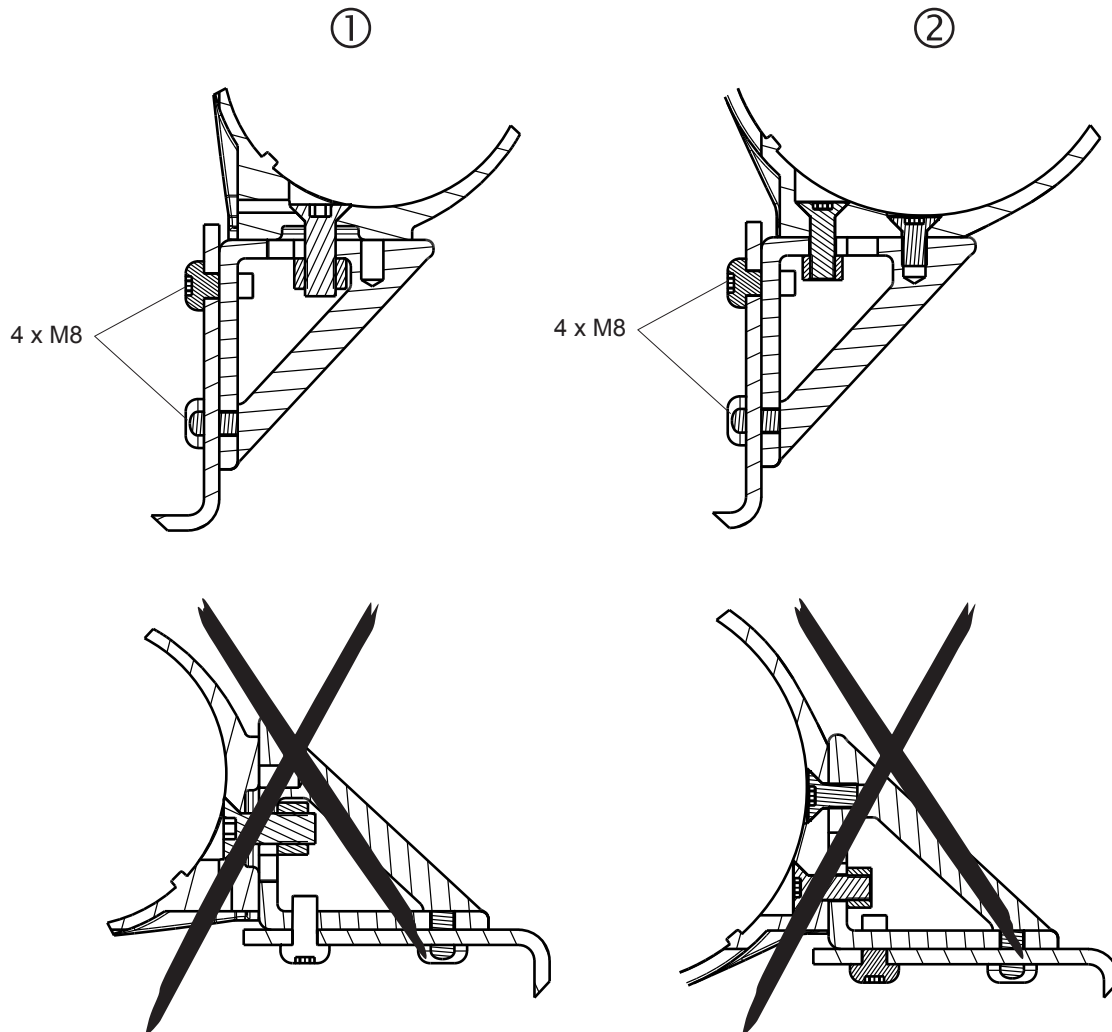


Figure	Bow ring	Screw
①	508-784-11	1 x MFT 10x30 + Nyloc nut
	508-784-12	1 x MFT 10x30 + Nyloc nut
	508-784-14	1 x MFT 10x30 + Nyloc nut
②	508-787-15	1 x MFT 8x16 1 x MFT 8x30 + Washer & Nyloc Nut

 **SELDÉN**

www.seldenmast.com