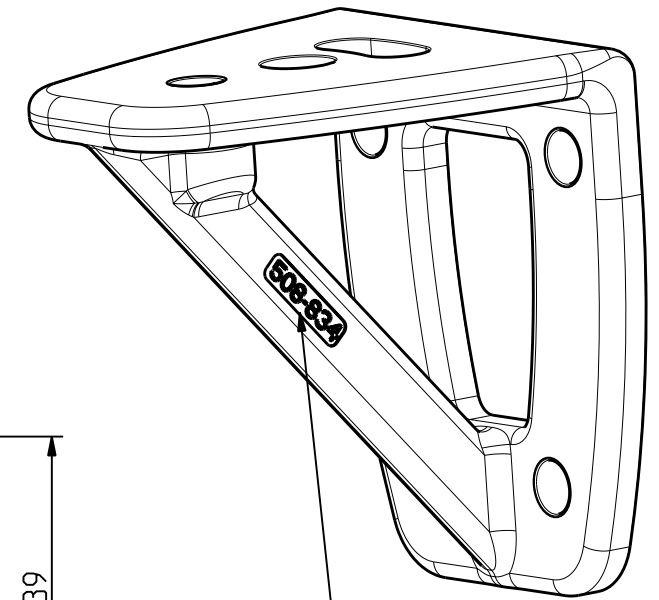


A
2:1



CAST PART NO
IN RECESS

FEED AREAS TO BE GROUND FLUSH
CAST PART NO. AS SHOWN
SHOTBLAST/RUMBLE
ELECTRO POLISH

NOTE: 3-D geometry file (-igs, -step, sll etc.) date to correspond with drawing date or latest revision date. E.g. 999-999-yy-mm-dd

No	Qty	Revision	Date	Sign
1	1	TOLERANCE CHANGE TO SS-ISO 2768-c	11-02-22	MA

Material		Estimated mass properties:		Weight	Volume	Desity
AISI_316				326.0g	40.6cm3	8.03g/cm3
Tolerance acc. to SS-ISO 2768-c unless otherwise stated		Replaced by	Replacing		File	
			X		3050	
Drawn	Date	Scale	Revision	Release	Approved	Part No.
HM	10-12-01	1:1	1	Production		508-834

SELDÉN

BOW RING BRACKET 90°
60x70x75